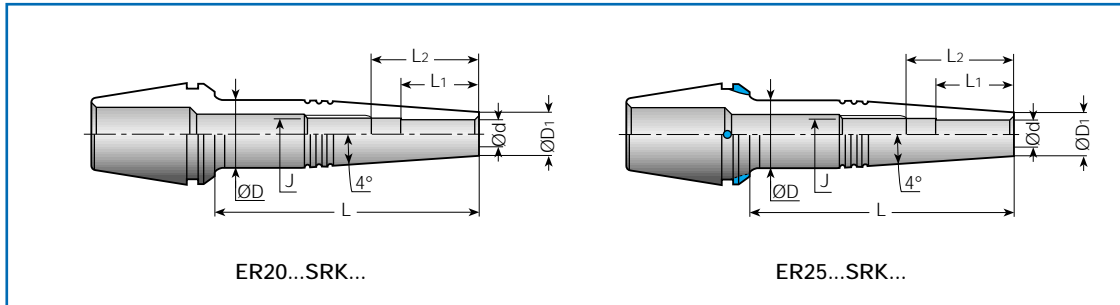


## ER20 and ER25 ShrinkIN Collets (Inch)



### ER20 SRK

Cat. No.	Designation	d	L	L1	L2	D	D1	J
4503318	ER20 SRK 1/8X1.500	0.125	1.500	0.394	0.630	0.531	0.394	M6x1
4503332	ER20 SRK 1/8X1.500 JET2	0.125	1.500	0.394	0.630	0.531	0.394	M6x1
4503319	ER20 SRK 1/8X2.500	0.125	2.500	0.394	0.630	0.531	0.394	M6x1
4503333	ER20 SRK 1/8X2.500 JET2	0.125	2.500	0.394	0.630	0.531	0.394	M6x1
4503320	ER20 SRK 3/16X1.500	0.1875	1.500	0.590	0.826	0.531	0.394	M6x1
4503334	ER20 SRK 3/16X1.500 JET2	0.1875	1.500	0.590	0.826	0.531	0.394	M6x1
4503321	ER20 SRK 3/16X2.500	0.1875	2.500	0.590	0.826	0.531	0.394	M6x1
4503335	ER20 SRK 3/16X2.500 JET2	0.1875	2.500	0.590	0.826	0.531	0.394	M6x1
4503322	ER20 SRK 1/4X1.500	0.250	1.500	0.708	0.945	0.531	0.433	M8x1.25
4503336	ER20 SRK 1/4X1.500 JET2	0.250	1.500	0.708	0.945	0.531	0.433	M8x1.25
4503323	ER20 SRK 1/4X2.500	0.250	2.500	0.708	0.945	0.531	0.433	M8x1.25
4503337	ER20 SRK 1/4X2.500 JET2	0.250	2.500	0.708	0.945	0.531	0.433	M8x1.25

### ER25 SRK

Cat. No.	Designation	d	L	L1	L2	D	D1	J
4503324	ER25 SRK 1/8X1.500	0.125	1.500	0.394	0.630	0.551	0.394	M6x1
4503338	ER25 SRK 1/8X1.500 JET2	0.125	1.500	0.394	0.630	0.551	0.394	M6x1
4503325	ER25 SRK 1/8X2.500	0.125	2.500	0.394	0.630	0.634	0.394	M6x1
4503339	ER25 SRK 1/8X2.500 JET2	0.125	2.500	0.394	0.630	0.634	0.394	M6x1
4503326	ER25 SRK 3/16X1.500	0.1875	1.500	0.590	0.826	0.551	0.394	M6x1
4503340	ER25 SRK 3/16X1.500 JET2	0.1875	1.500	0.590	0.826	0.551	0.394	M6x1
4503327	ER25 SRK 3/16X2.500	0.1875	2.500	0.590	0.826	0.634	0.394	M6x1
4503341	ER25 SRK 3/16X2.500 JET2	0.1875	2.500	0.590	0.826	0.634	0.394	M6x1
4503328	ER25 SRK 1/4X1.500	0.250	1.500	0.708	0.945	0.594	0.433	M8x1.25
4503342	ER25 SRK 1/4X1.500 JET2	0.250	1.500	0.708	0.945	0.594	0.433	M8x1.25
4503329	ER25 SRK 1/4X2.500	0.250	2.500	0.708	0.945	0.700	0.433	M8x1.25
4503343	ER25 SRK 1/4X2.500 JET2	0.250	2.500	0.708	0.945	0.700	0.433	M8x1.25
4503330	ER25 SRK 5/16X1.500	0.3125	1.500	0.984	1.220	0.705	0.551	M10x1.5
4503344	ER25 SRK 5/16X1.500 JET2	0.3125	1.500	0.984	1.220	0.705	0.551	M10x1.5
4503331	ER25 SRK 5/16X2.500	0.3125	2.500	0.984	1.220	0.705	0.551	M10x1.5
4503345	ER25 SRK 5/16X2.500 JET2	0.3125	2.500	0.984	1.220	0.705	0.551	M10x1.5